

TARTLER

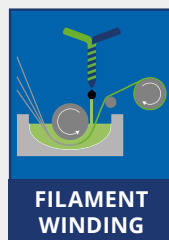
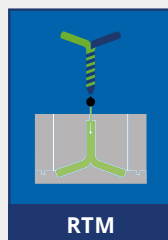
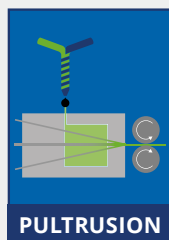
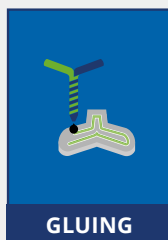


Y-CONNECTOR

PLASTIC FLOW DISTRIBUTION SYSTEM

The high quality Y-shaped connector enables the splitting or merging of material flows

for hoses with 25 mm inner diameter



Y-CONNECTOR

FOR MATERIAL HOSES

APPLICATION EXAMPLE

- ▶ Material flow distribution
- ▶ Merging of material flows



Proven safety with TARTLER hose clamps and hoses

The polyamide Y-connector is ideal for liquids and gases. It is designed for use with our hoses and hose clamps and has been approved for a working pressure up to 30 bar.

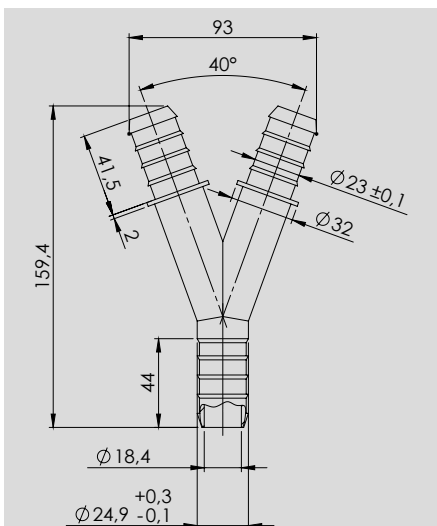
This connector is the right choice where material flows have to be divided or merged.

TECHNICAL DATA

Nominal connection diameters	25/25/25 mm
Material	Polyamide PA6GB30
Working pressure	up to max. 30 bar
Bursting pressure	up to max. 60 bar
Approved system	<ul style="list-style-type: none"> ▶ Y-connector 25/25/25 (EK20-2641) ▶ PVC hose 25x5 MIX-M-P-TAR (EK20-1598) ▶ hose clamp DN25 (EK20-0781)



Approved system: Our material hoses are attached to the mixer tube and Y-connector with hose clamps



Y-connector for 25 mm hoses: Sketch with dimensions and diameters



For application and info movies please check our YouTube channel:

<https://yt.vu/+tartler-int>



Get some more information about additional parts here:

<https://www.tartler.com/en/additional-parts.html>

TARTLER



TARTLER GmbH

Relystr. 48
D-64720 Michelstadt

Phone: +49 (0) 6061 96 72-0

E-Mail: info@tartler.com

Web: www.tartler.com